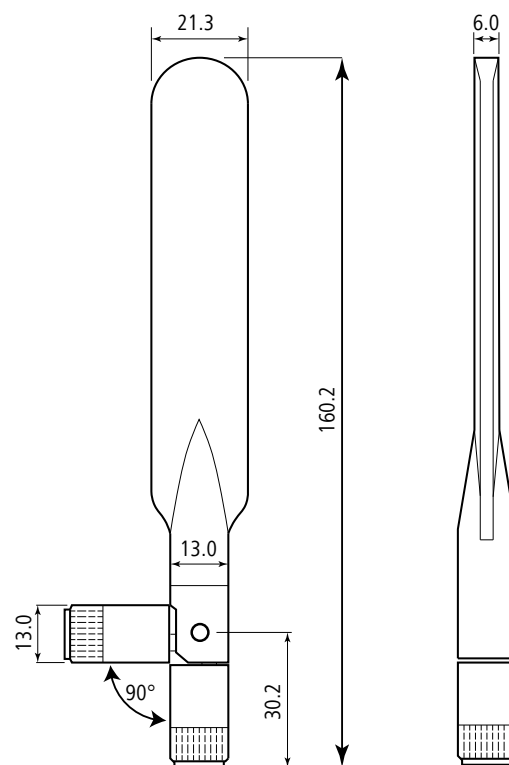
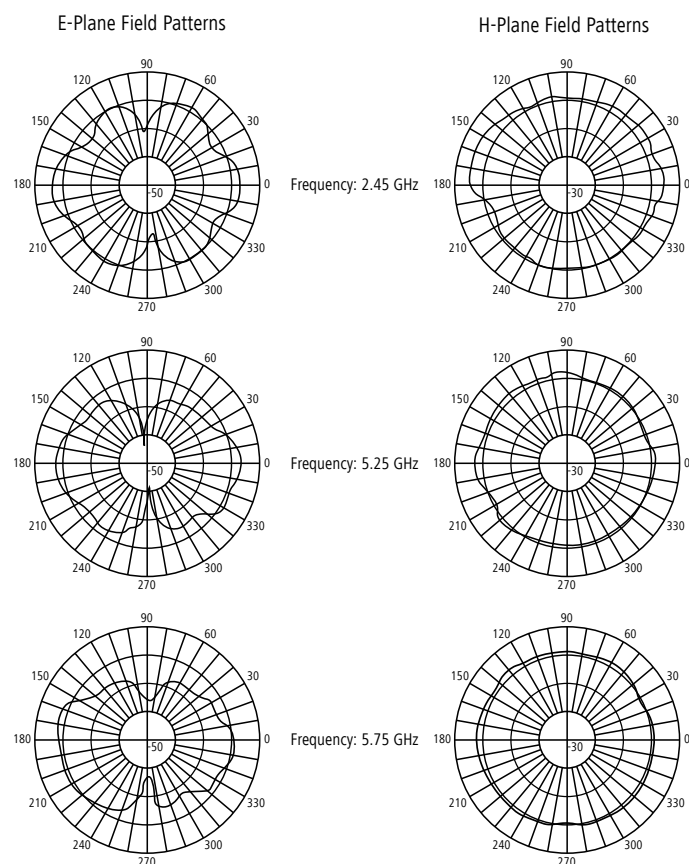


LANCOM Indoor dualband antenna version 1

Specifications & radiation patterns

Specifications	2.4 GHz	5.2 / 5.8 GHz
Gain max.	4.0 dBi	5.0 / 4.5 dBi
VSWR	max. 2.0:1	
Polarization	Vertical, omni-directional	
Nominal impedance	50 Ohms	
Power max.	50 W	
Connector type	Reverse SMA (m)	
Dimensions	160 mm (straight) / 140 mm (angled) x 13 mm (diameter)	



LANCOM, LANCOM Systems, LCOS, LANCommunity and Hyper Integration are registered trademarks. All other names or descriptions used may be trademarks or registered trademarks of their owners. This document contains statements relating to future products and their attributes. LANCOM Systems reserves the right to change these without notice. No liability for technical errors and/or omissions. 11/19